

ALL VOLTAGES MEASURED UNDER FOLLOWING CONDITIONS:
 USE OF 11 MEGOHMS INPUT IMPEDANCE VTVM VOLTMETER
 INPUT VOLTAGE 117 V AC
 INPUT SELECTOR - AUX
 MODE SELECTOR - STEREO

UNLESS OTHERWISE SPECIFIED
 ALL RESISTORS IN OHMS $\frac{1}{2}$ W 10%
 ALL CAPACITORS IN MFD

LAST C D46
 LAST R R105

TRANSISTOR REPLACEMENT CHART	
MINTOSH NO.	EQUIVALENT NO.
Q101	2N720
Q102	2N657
Q103	2N3390

BE012003

SCHEMATIC, C24			
DATE	REV.	BY	CHK.
MINTOSH LABORATORIES INC. 200 WEST 57th STREET, NEW YORK, N.Y.			
PRINTED IN U.S.A.	VG	REV. 24.64	FORM 100
		1964	20149-118

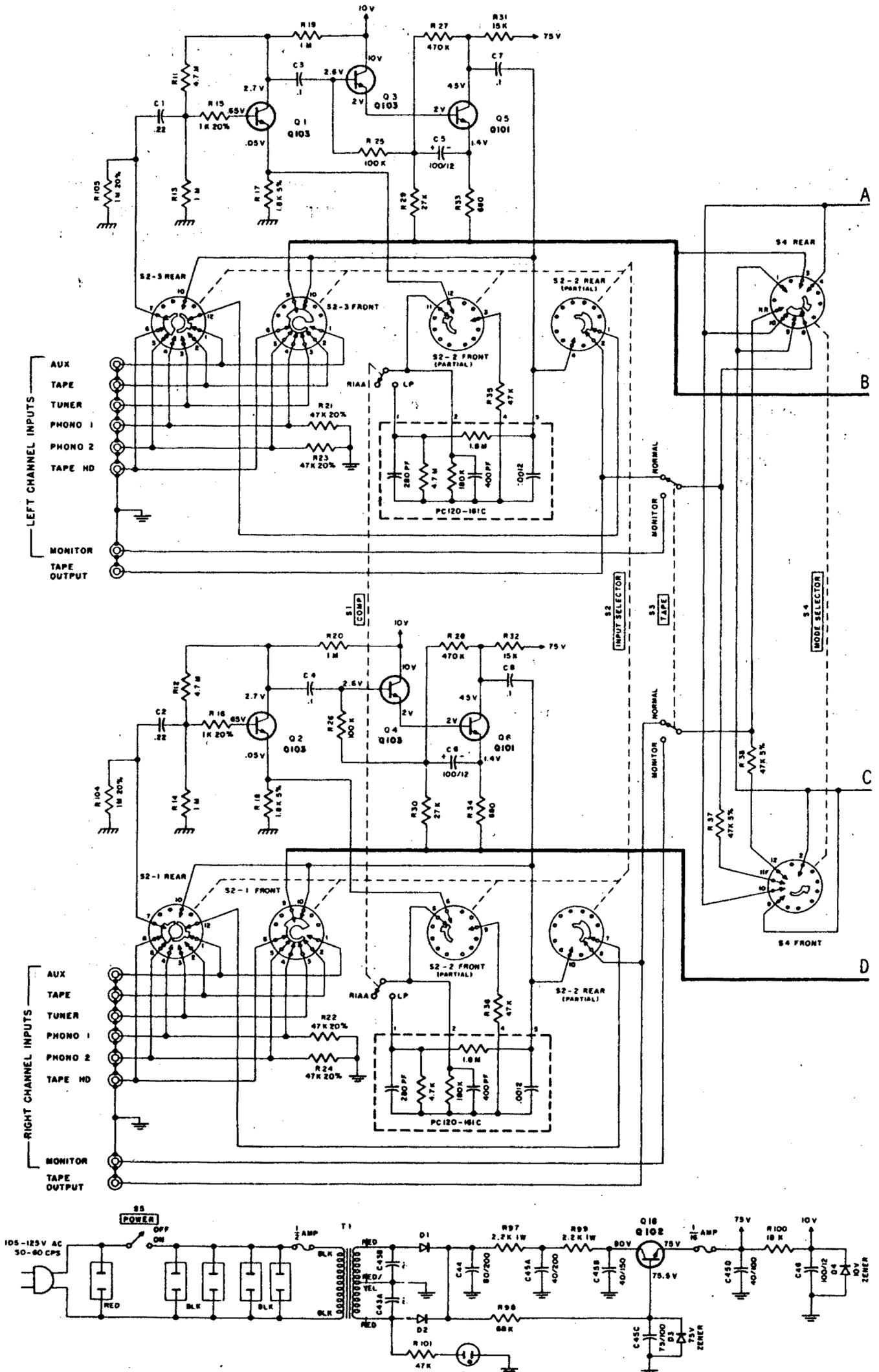
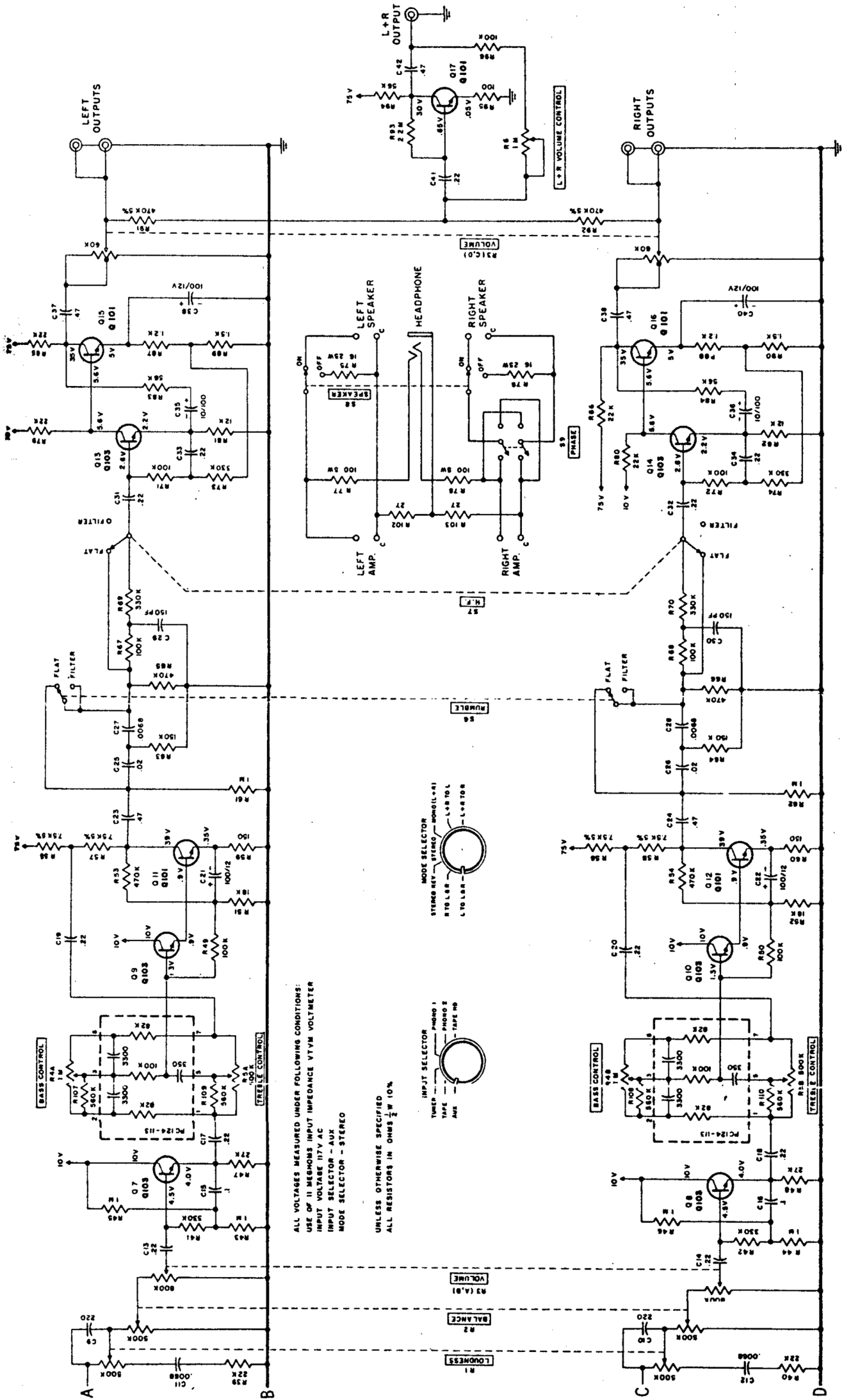


Fig. 12-231H. Schematic diagram of the McIntosh



Model C24 stereophonic preamplifier.